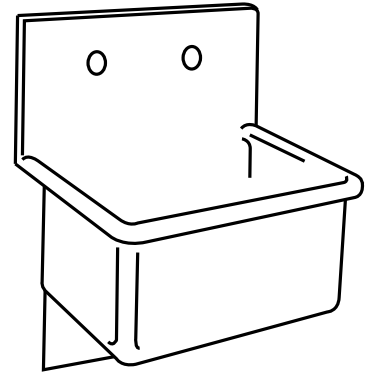


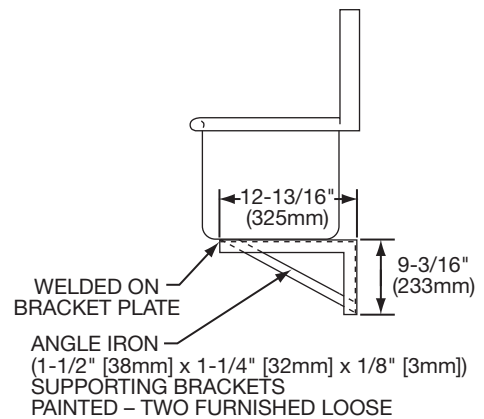
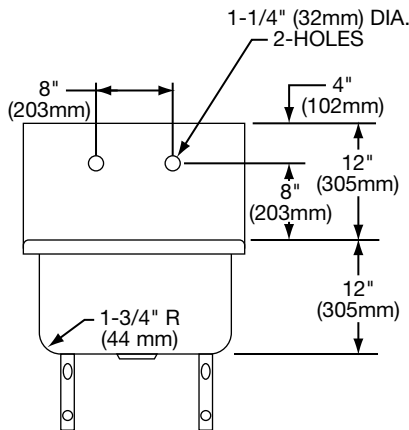
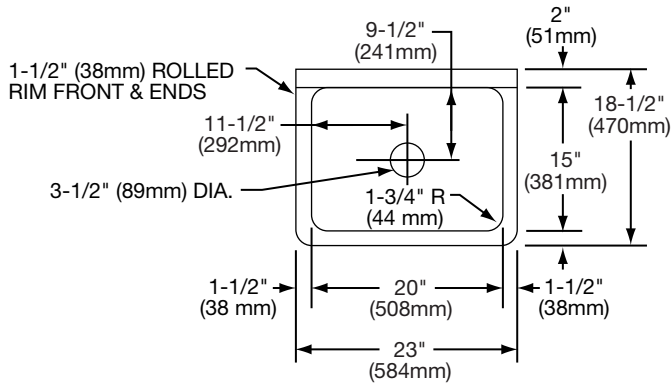
SPECIFICATIONS

GENERAL

ESS20070 #14 gauge, type 304 (18-8) stainless steel Navy Service Sink. 1-3/4" (44mm) radius vertical and horizontal covered corners. 1-1/2" (38mm) rolled rims. Full length back-splash, 12" (305mm) x 2" (51mm) thick. Exposed surfaces are hand blended to a uniform satin luster finish. Furnished with painted iron support brackets, wall hanger, and weld-on bracket plates. Underside is fully undercoated to prevent condensation and dampen sound. Naval shipboard specification MIL-S-2143B (Ships). Ship. Wt. 45 lbs.



Model ESS20070



NOTE: SEE REVERSE SIDE FOR ROUGH-IN DIMENSIONS.

ROUGH-IN DIMENSIONS

